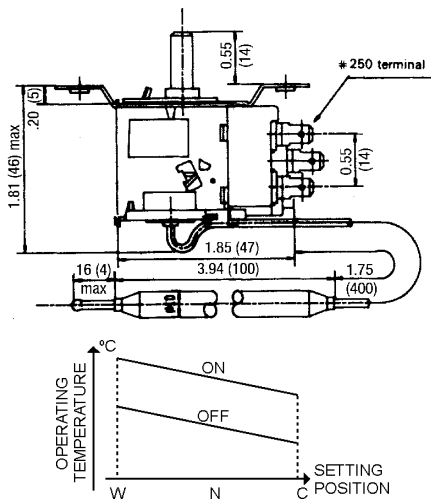
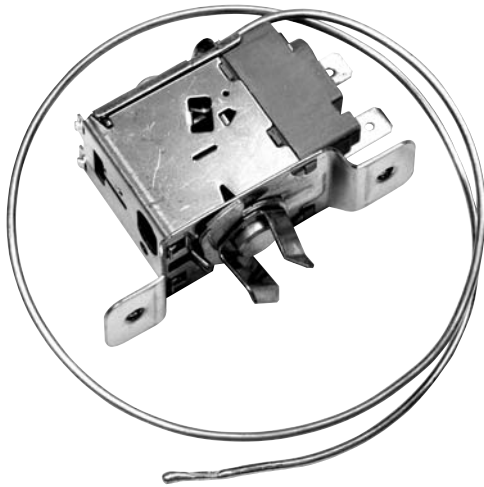


# Cold Capillary Controls

## WK and WK-H Series



### APPLICATIONS

- Coolers
- Freezers
- Refrigerators
- Ice machines
- Air conditioners

The WK and WK-H Series general purpose thermostats provide the ideal temperature control solution for a wide variety of refrigeration and air-conditioner applications. This cold control provides accurate temperature control and high sensitivity for a wide range of refrigerators, freezers, beverage coolers, and display case applications. High current capability switch of SPST or SPDT. There is a narrow differential and a forced off function. The WK and WK-H Series can be used in DC current with inductive loads. Fixed operating temperatures (without shaft) are also available. With universal adaptability in mind, the WK and WK-H Series is designed to replace many OEM controls, offering the user additional options and convenience during equipment manufacturing or repair. Mainly built to custom specifications, it comes complete with a variety of mounting hardware including brackets, terminals, dial plates, and knobs.

### SPECIFICATIONS

<b>Temperature range</b>	-31°F to 104°F (-35°C to 40°C) with bulb -31°F to 90°F (-35°C to 32°C) no bulb
<b>Maximum temperature range</b>	36°F (20°C)
<b>Differential</b>	4°F to 9°F (2°C to 5°C)
<b>Tolerance</b>	2.7°F (1.5°C) at calibration point 3.6°F (2.0°C) at non-calibration point
<b>Contact resistance</b>	<50m Ω
<b>Insulation resistance</b>	>100m Ω
<b>Dielectric strength</b>	AC 50/60Hz, 1500V/1 minute
<b>UL/CSA/VDE electrical ratings</b>	125/250VAC, 20 Amps, Resistive
<i>Model WK</i>	100,000 Cycles
<b>Inductive load ratings</b>	125/250VAC, 20FLA, 80LRA
<b>UL/CSA/VDE electrical ratings</b>	125/250VAC, 20 Amps, Resistive
<i>Model WK-H</i>	100,000 Cycles
<b>Inductive load ratings</b>	125/250VAC, 25FLA, 100LRA
<b>Approvals</b>	UL Recognized File No. E195847, SDFY2 C-UL Recognized File No. E195847, SDFY8 VDE RoHS Compliant

Models available from stock - subject to availability

Part Number	Temperature Settings			
	Switch Action	Cold °F	Normal °F	Warm °F
WK1V-115-020	ON	●	42	45
	OFF	34	37	●
WKF29.4S-005-120	ON	-5.8	5	12.2
	OFF	-20.2	-9.4	-2.2
WKF20.6E-007-020	ON	3	21	41
	OFF	4	16	33
WKF11V-109-021T	ON	35	●	46
	OFF	13	●	●
WKF1V-005-020-1	ON	38	●	43
	OFF	30	●	●
WKF11A-102-022 (Constant Cut-In)	ON	39	39	39
	OFF	12	21	30
WK15.6S-408-060	ON	64.4	●	90
	OFF	60.08	●	●

It is the customer's sole responsibility to specify and determine the suitability of a particular control or component based on their unique individual applications and requirements

(714) 917-1333 • (800) 257-3526 • FAX (714) 917-1355 • E-mail: sales@selcoproducts.com