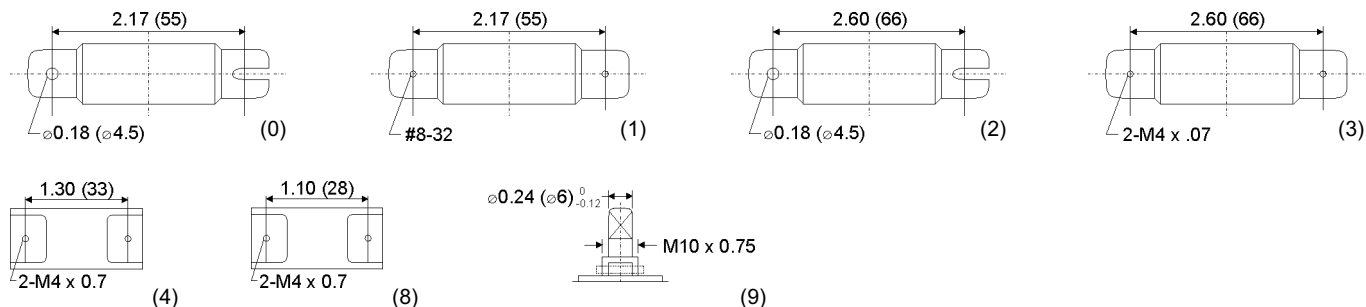


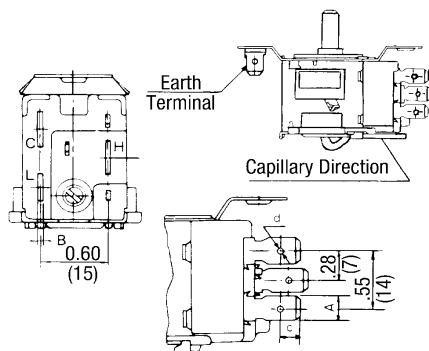
Brackets, Terminals and Adjustment Shafts

Options for WD, WS, WK and WK-H Series

Bracket Options



Terminal Options

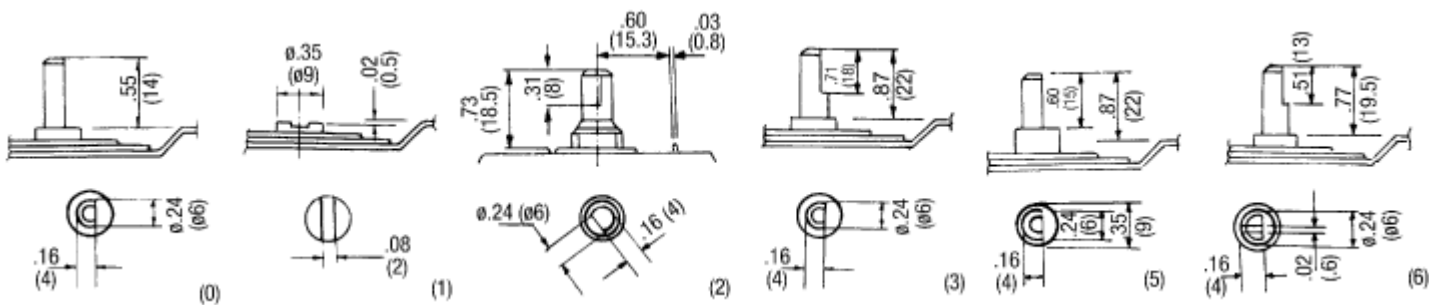


Terminal Number	A x B (mm)	C (mm)	D (inches)	Code	
				Terminal	Ground Terminal
#187	4.75 x 0.55	3.2 + 0.25	1.4	1 or 5	1 or 3
#250	4.75 x 0.8	4.2 + 0.3	1.4	3 or 7	5 or 7
#187	6.35 x 0.8	3.2 + 0.25	1.6	2 or 6	2 or 4

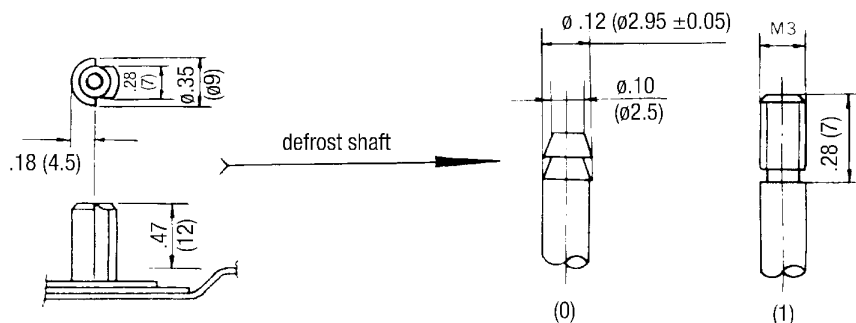
Terminal No. 1, 2, and 3 - are the same direction as capillary
Terminal No. 5, 6, and 7 - are the opposite direction

Ground Terminal No. 1, 2, and 5 - are in the front of the bracket
Ground Terminal No. 3, 4, and 7 - are in the rear of the bracket

Adjustment Shaft Options



For WS Series



It is the customer's sole responsibility to specify and determine the suitability of a particular control or component based on their unique individual applications and requirements

(714) 917-1333 • (800) 257-3526 • FAX (714) 917-1355 • E-mail: sales@selcoproducts.com