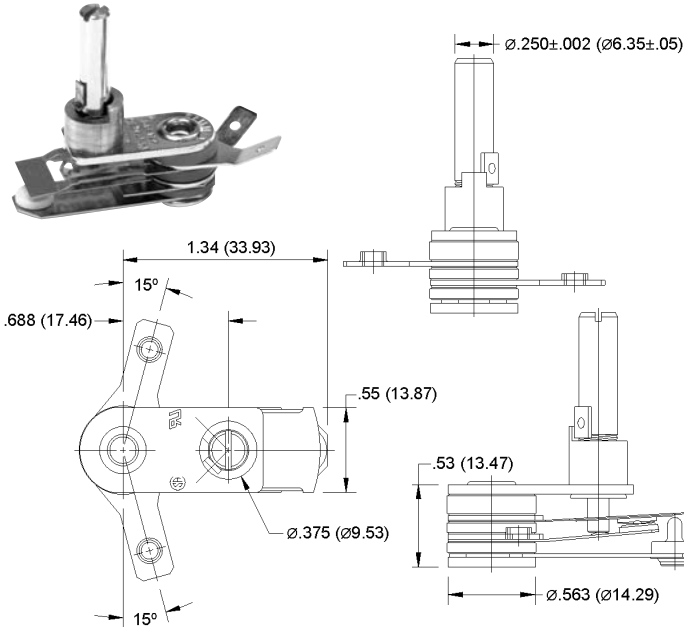


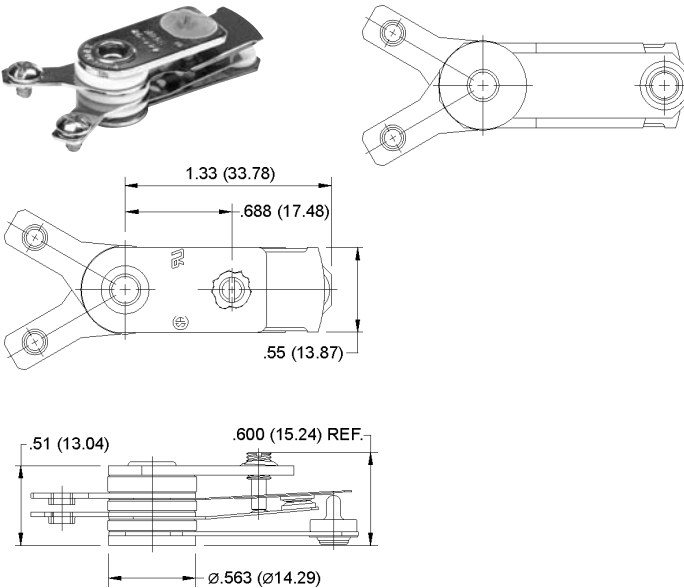
# Adjustable Thermostats

## TOR Series

### TOR Model - Adjustable Thermostat



### TOR Model - Fixed Thermostat



### FEATURES

- Low cost
- Creep action
- Custom design

### APPLICATIONS

- Grills
- Irons
- Fryers

These bimetal thermostats are available in adjustable or fixed settings. The position of the adjustment shaft determines the desired temperature. Contacts are "snap-action" which extends the electrical life or "creep-action" which carry no built in differential. They are primarily used in irons, grills, small electric ovens, as well as commercial and industrial heating devices.

### SPECIFICATIONS

#### TOR Models

#### Electrical ratings

120VAC, 15 Amps, Resistive, 2.6FLA, 15.6LRA  
240VAC, 10 Amps, Resistive, 1.3FLA, 7.8LRA  
100,000 Cycles

#### Temperature range

0°F to 550°F (-17°C to 287°C)  
450°F maximum for snap action contacts  
550°F maximum for creep action contacts  
Tolerance ±5% of the calibration temperature  
or 10°F whatever is greater

#### Dielectric strength

1800VAC/1 second

#### Approvals

UL Recognized File No. E170601, XAPX2  
C-UL Recognized File No. E170601, XAPX8  
RoHS Compliant