

Encapsulated Thermostats

SEO (T) Series

FEATURES

- 10 and 25 amp loads
- Dust and moisture proof
- Wide range of operating temperatures

APPLICATIONS

- Freezers
- Refrigerators
- Air conditioners

The SEO (T) Series automatic reset thermostat was designed for humid environments. A resin filled thermoplastic cap covers the thermostat. The fixed factory calibrated bimetal disc is located adjacent to the surface to be monitored. This will provide a rapid response to temperature changes. Each device is built to open or close on rise at any desired set point.

Lead wires are normally 6" in length. Custom lead lengths are available. The T16 and T17 models are available with #18 gauge wire. Models T21 and T22 are available with #14 gauge wire. Numerous types of terminals can be furnished at an extra cost.

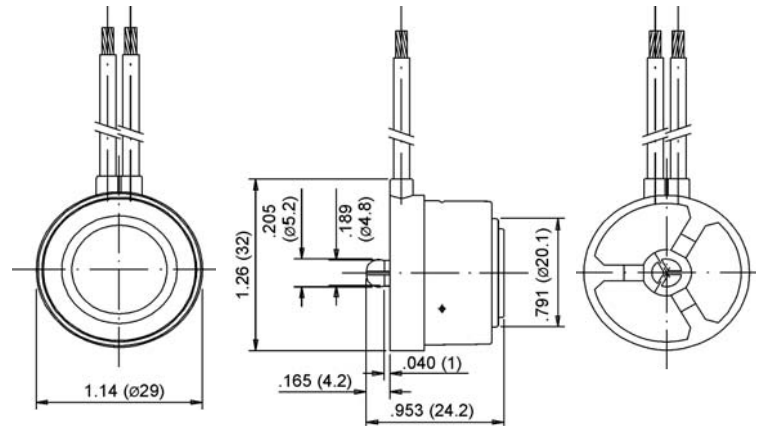
For use in millivolt applications, the T Series carries a 12Vdc, 250mA rating.

SPECIFICATIONS

Temperature range	-4°F to 212°F (-20°C to 100°C)
Differential (minimum)	20°F (11°C), S.P.S.T. Temp range: -4°F to 32°F (-20°C to 0°C) 14°F (8°C), S.P.S.T. Temp range: 32°F to 212°F (0°C to 100°C) 27°F (15°C) minimum, S.P.D.T.
Environmental temperature	-4°F to 212°F (-20°C to 100°C)
Electrical ratings	
T16 and T17 Models	120VAC, 10 Amps, Resistive, S.P.S.T. 120VAC, 5.8 Amps, Inductive, S.P.S.T. 250VAC, 5 Amps, Resistive, S.P.S.T. 250VAC, 2.9 Amps, Inductive, S.P.S.T. 100,000 Cycles
T21 and T22 Models	220VAC, 25 Amps, S.P.S.T. or S.P.D.T. 100,000 Cycles
T60 Model	120/250VAC, 16 Amps, S.P.S.T.
Dielectric strength	
T16 and T17 Models	1500VAC/1 minute
T21 and T22 Models	1480VAC/1 minute
Approvals	UL Recognized File No. E145478(S), XAPX2 C-UL Recognized File No. E145478(S), XAPX8 VDE RoHS Compliant

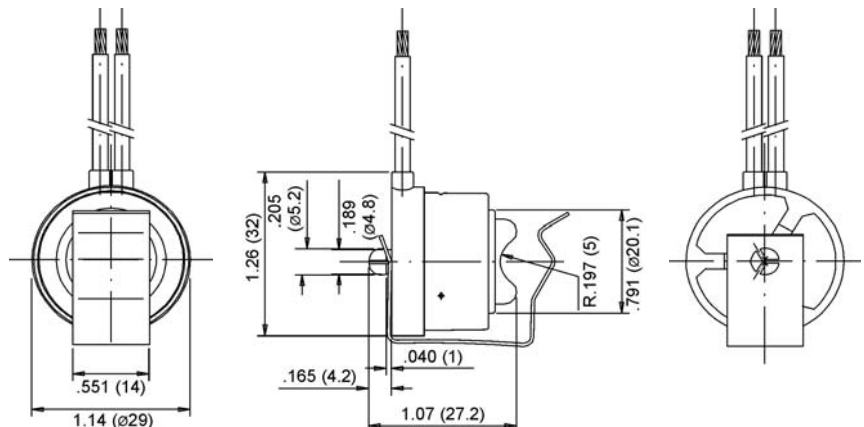
T16 Model - Without Bracket

Stainless steel cover



T17 Model - Auxiliary Clip Mount

Stainless steel cover - 3/8" Clip - complete clips available



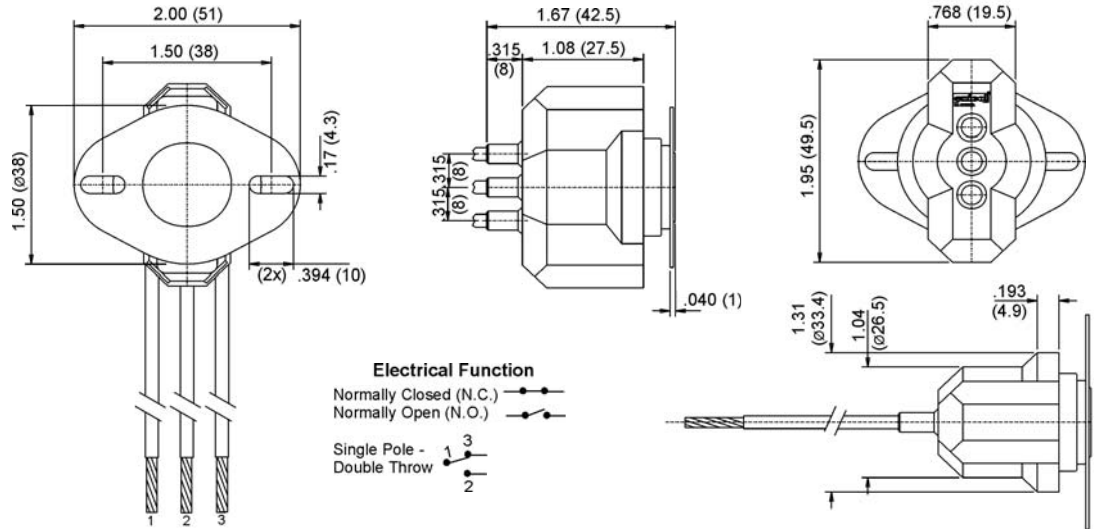
It is the customer's sole responsibility to specify and determine the suitability of a particular control or component based on their unique individual applications and requirements

(714) 917-1333 • (800) 257-3526 • FAX (714) 917-1355 • E-mail: sales@selcoproducts.com

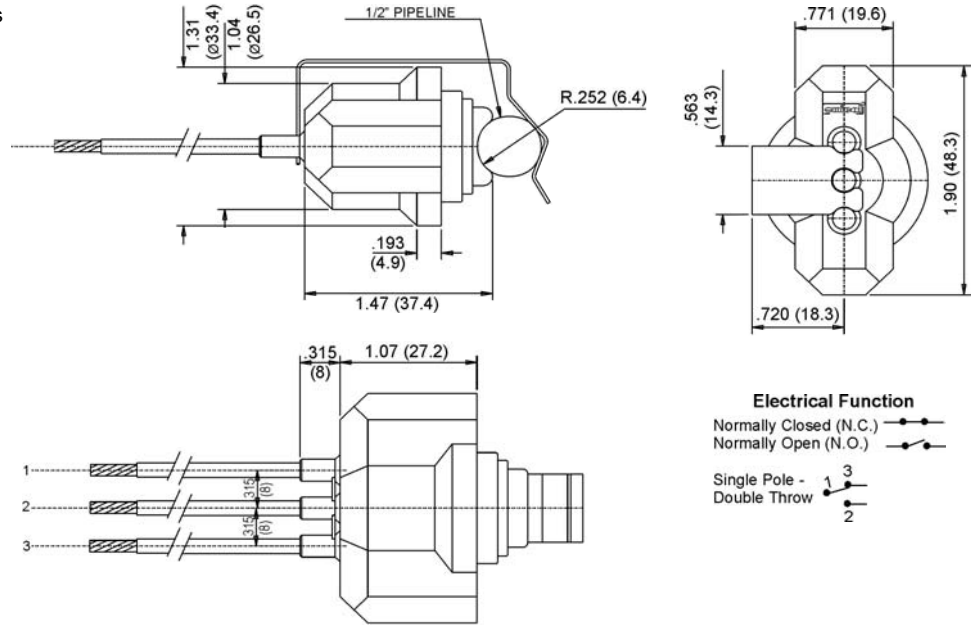
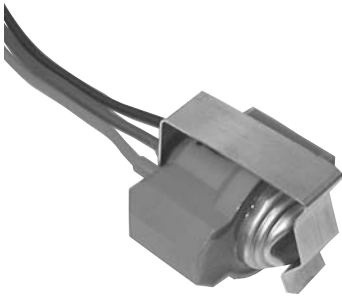
Encapsulated Thermostats

SEO (T) Series

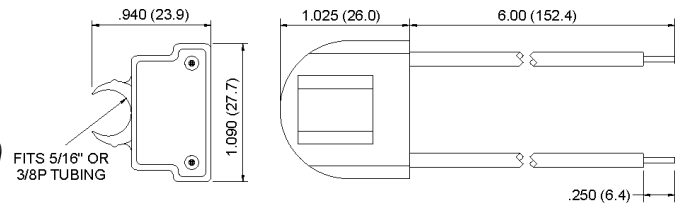
T21 Model - With Bracket
Stainless steel cover



T22 Model - Auxiliary Clip Mount
Stainless steel cover - 3/8" and 1/2" clips



T60 Model - Plastic Body



It is the customer's sole responsibility to specify and determine the suitability of a particular control or component based on their unique individual applications and requirements

(714) 917-1333 • (800) 257-3526 • FAX (714) 917-1355 • E-mail: sales@selcoproducts.com