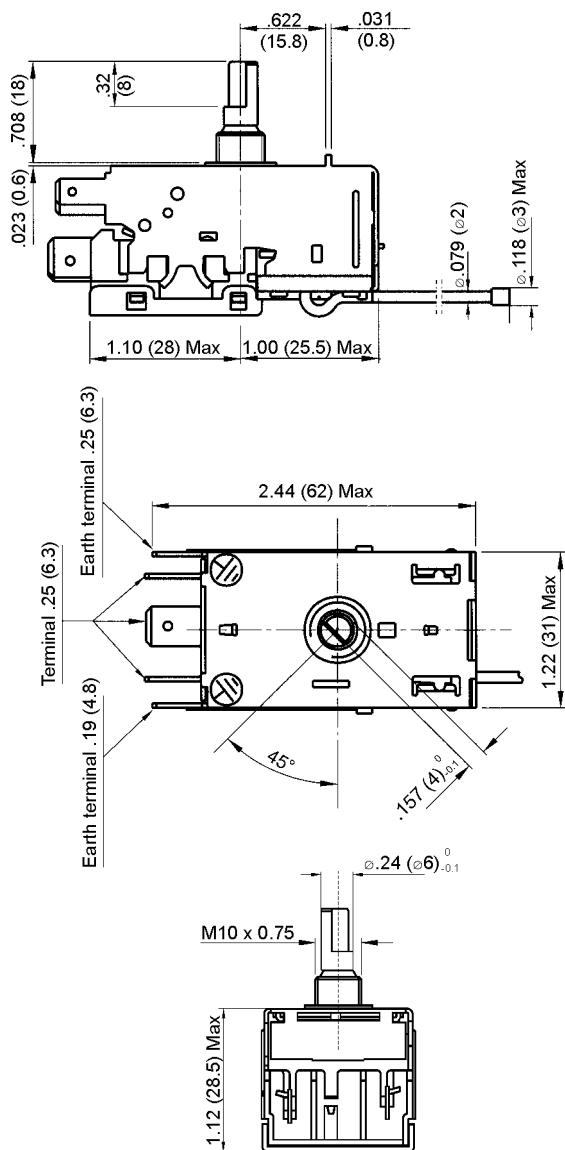


# Cold Capillary Controls

## KX Series - Temperature Control with S.P.S.T. Switch and Signal



### APPLICATIONS

- Freezers

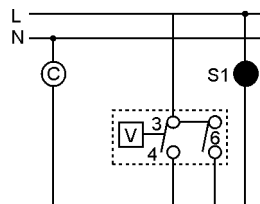
Terminal 3-4: Closes on temperature rise

Terminal 3-6: Closes when warning temperature has been reached

### SPECIFICATIONS

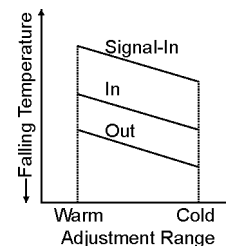
<b>Electrical ratings</b>	250V, 50Hz Terminal 3-4: 6 Amps Terminal 3-6: 0.1 Amps
<b>Temperature range</b>	-40°F to 104°F (-40°C to 40°C)
<b>Adjustment range</b>	4 to 30K
<b>Differential</b>	3 to 14K
<b>Signal differential</b>	4 to 7K
<b>Tolerance</b>	2.7°F (1.5°C) at calibration point 3.6°F (2.0°C) at non-calibration point
<b>Contact resistance</b>	<50m Ω
<b>Insulation resistance</b>	>100M Ω
<b>Dielectric strength</b>	AC 50/60Hz, 1500V/1 minute
<b>Approvals</b>	UL and C-UL Recognized VDE

### Typical Electrical Wiring Diagram



- 3-4 Main switch closes at temperature rise
- 3-6 Signal switch closes at temperature rise
- C Compressor
- S1 Warning lamp indicates to high temperature

### Typical Function Chart



It is the customer's sole responsibility to specify and determine the suitability of a particular control or component based on their unique individual applications and requirements

(714) 917-1333 • (800) 257-3526 • FAX (714) 917-1355 • E-mail: sales@selcoproducts.com