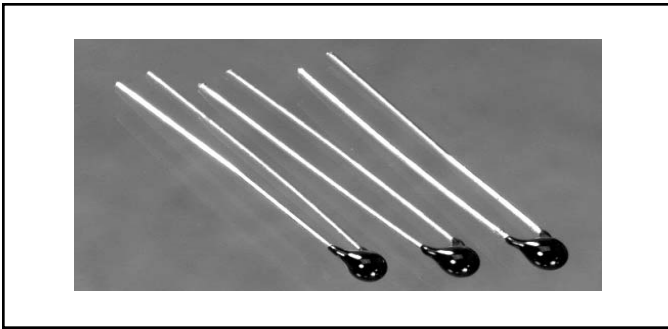


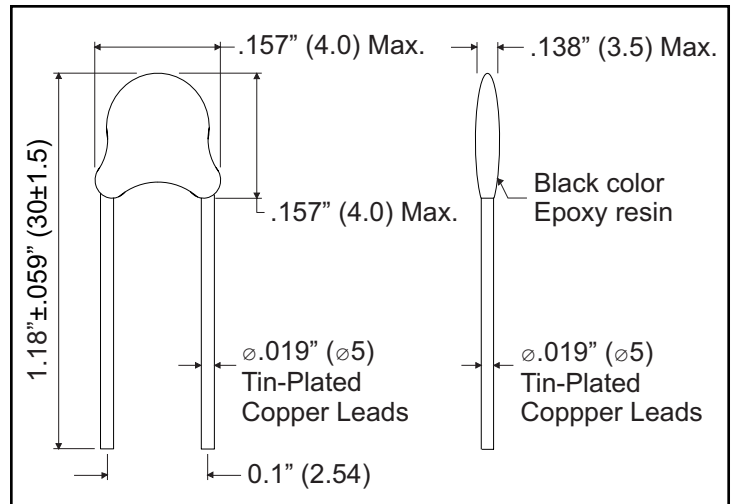
High-Precision NTC Thermistors

HT Series



FEATURES

- RoHS Compliant
- High stability and low cost
- Excellent thermal cycle endurance



The HT thermistor is a high-performance thermal sensing device.

SPECIFICATIONS

Temperature range	-50°C to 110°C	B value	3435K - 4847K
R25: Rated zero-power resistance value at 25°C	1,000 Ohms 2,000 Ohms 5,000 Ohms 10,000 Ohms 20,000 Ohms 47,000 Ohms 100,000 Ohms	Determined by rated zero-power resistance at 25°C and 85°C	
Tolerances	±1%, ±3%, ±5%	R/T curves	HT Series thermistors are available in most of the R/T curve materials. Detailed curve material information on pages 26-27.
		Dissipation constant	2 mW/°C
		Thermal time constant	Typically 3.0 seconds in air Typically 0.9 seconds in oil bath
		Maximum power rating	10 - 15 mW at 25°C

ORDERING MAP

