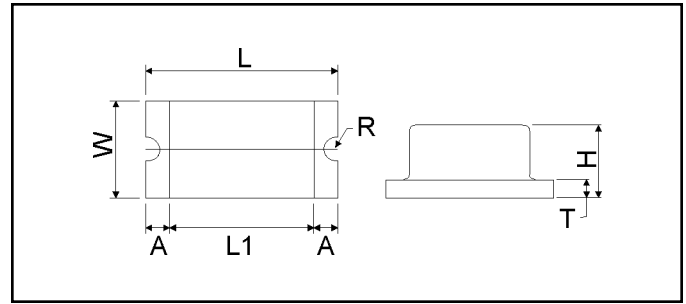


Surface Mount Chip Thermistors

CT Series



FEATURES

- RoHS Compliant
- Surface mount capability
- Ultra small size and low capacitance
- Uniformly sized for pick place assembly

Type \ Dim.	L (±0.2)	W (±0.2)	L1	A	R	H (±0.2)	T (±0.05)
1206	.126 (3.2)	.063 (1.6)	.0787 (2.0)	.0236 (0.6)	.0146 (0.37)	.0433 (1.1)	.0197 (0.5)
0805	.0787 (2.0)	0.492 (1.25)	.0551 (1.4)	.0118 (0.3)	.0079 (0.20)	.0433 (1.1)	.0197 (0.5)
0603	.063 (1.6)	.0315 (0.8)	0.472 (1.2)	.0079 (0.2)	.0067 (0.17)	.0315 (0.8)	.0118 (0.3)

The CT thermistor, a highly reliable thermistor, is characterized by a fast response and standard chip package sizes.

SPECIFICATIONS

Temperature range	-40°C to 125°C	Dissipation constant	0.9 mW/°C in still air
R25: Rated Zero-power Resistance value at 25°C	10,000 Ohms 47,000 Ohms 100,000 Ohms	Thermal time constant	Typically 3-8 seconds in still air
Tolerances	±3% ±5%	Maximum power rating	4-6 mW at 25°C
B25/85 value	10,000 Ohms - F Curve (3435K) 47,000 Ohms - A Curve (3977K) 100,000 Ohms - G Curve (4390K)	Reel quantity	0805 - 4K reel 0603 - 4K reel 1206 - 3K reel

ORDERING MAP

