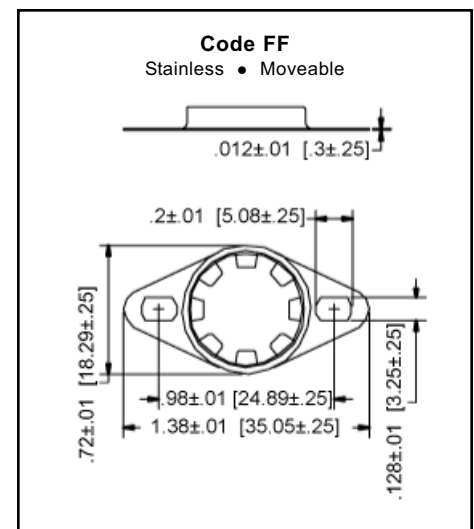
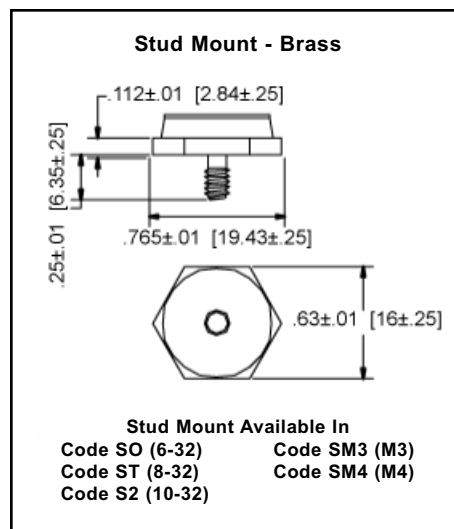
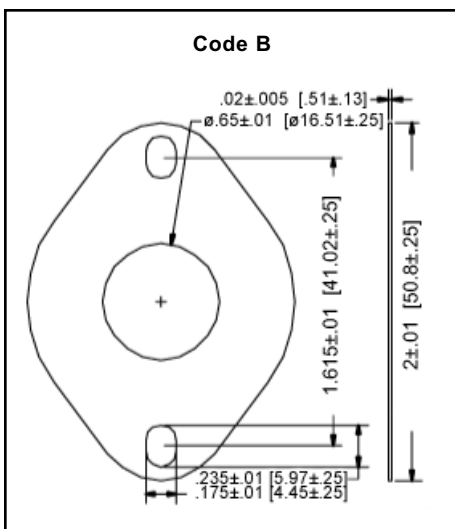
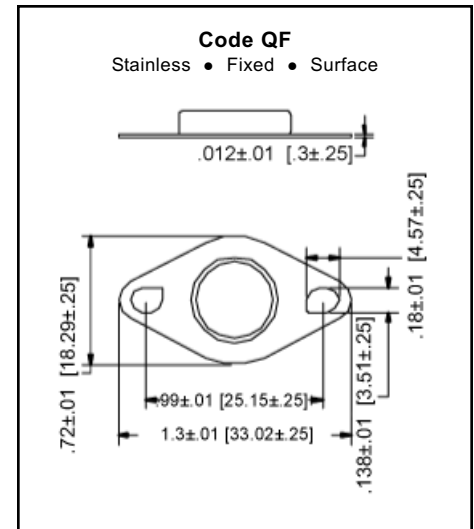
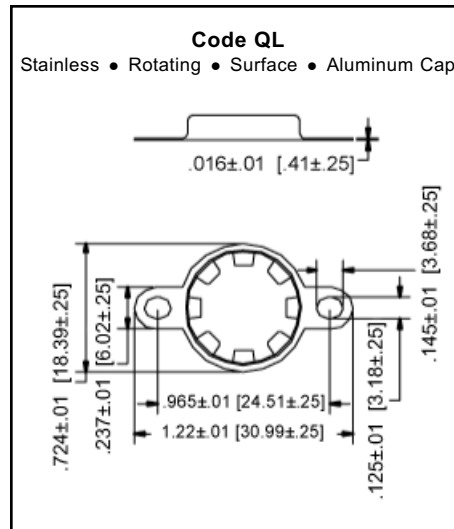
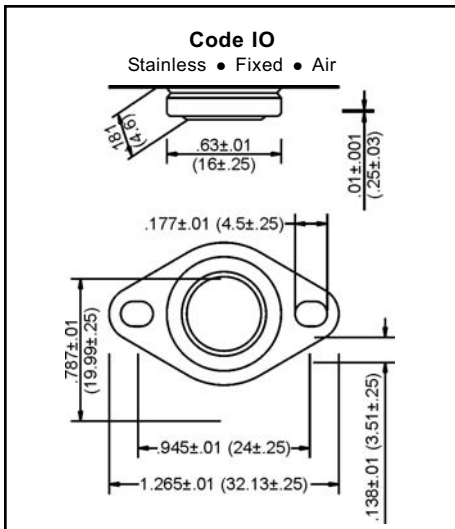
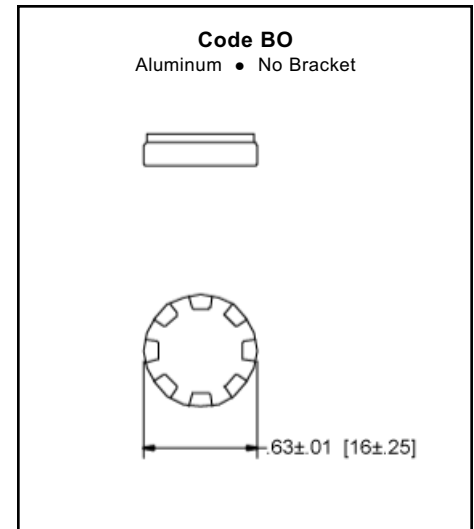
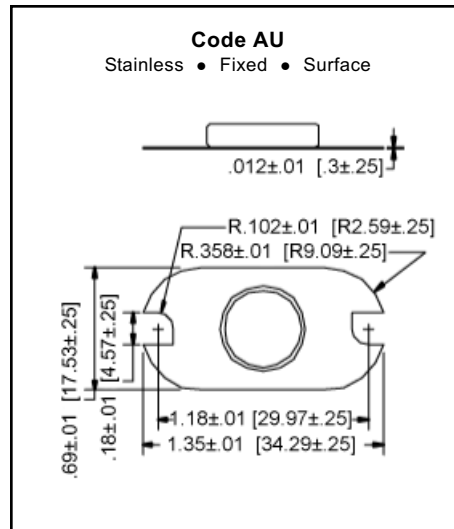
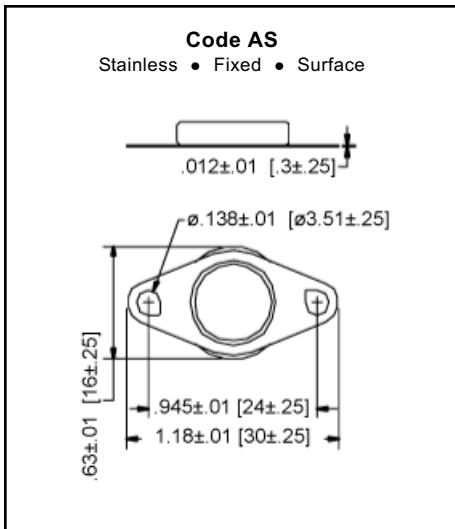


# Special Order Brackets

For CA/OA (602S & 602K) and OM (603U-H & 603K) Series



It is the customer's sole responsibility to specify and determine the suitability of a particular control or component based on their unique individual applications and requirements

(714) 917-1333 • (800) 257-3526 • FAX (714) 917-1355 • E-mail: sales@selcoproducts.com